

Pneumatic vibrator

Different types of vibrators have different forces and amplitudes. Other important factors are cost, noisy and air consumption. For example, sometimes using turbine vibrator is necessary. It is quiet and consumes only half the volume of a ball vibrator at the same time.

1. Select all possible vibrator from the table below, depending on the amount of force required.
2. Compare costs. Note that a GT series vibrator can complete the work of replacing two ball vibrators. In the long run, the cost of the GT series is low.



Product Series



■ K(S) pneumatic ball vibrator



■ GT (OT) turbine vibrator

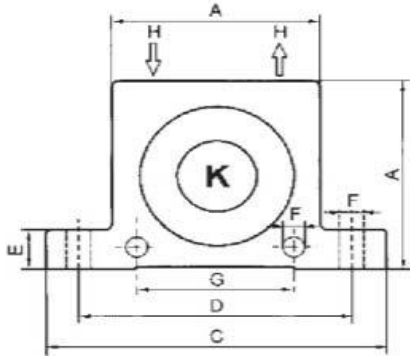


■ R (OR) pneumatic roller vibrator



■ Stainless steel pneumatic vibrator

K (S) series pneumatic ball vibrator



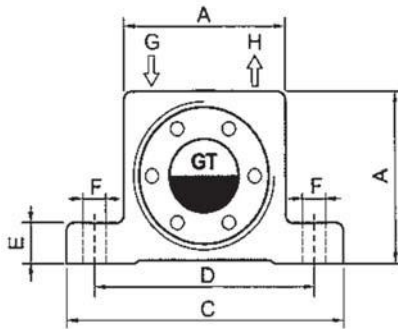
Parameter

Model	vibration per minute			Vibration force			Air consumption L/min		
	0.2MPa	0.4MPa	0.6MPa	0.2MPa	0.4MPa	0.6MPa	0.2MPa	0.4MPa	0.6MPa
K-08	25510	31100	35100	132	249	355	85	150	190
K-10	22510	28100	34100	245	468	715	95	155	210
K-13	15100	18510	22510	320	560	875	95	160	230
K-16	13100	17100	19510	455	810	1110	125	210	285
K-20	10510	14510	16510	715	1200	1750	135	235	335
K-25	9210	12210	14100	925	1580	2100	165	295	420
K-30	7810	9710	12510	1520	2480	3250	220	380	575
K-36	7310	9100	10100	2050	3135	4100	265	480	678

Dimension

Model	A	width	C	D	E	F	G	H	weight
	mm	mm	mm	mm	mm	mm	mm	G thread	Kg
K-08	50	20	86	68	12	7	40	G1/4	0.15
K-10	50	20	86	68	12	7	40	G1/4	0.15
K-13	65	24	113	90	16	9	50	G1/4	0.35
K-16	65	27	113	90	16	9	50	G1/4	0.38
K-20	80	33	128	104	16	9	60	G1/4	0.65
K-25	80	38	128	104	16	9	60	G1/4	0.68
K-30	100	44	160	130	20	11	80	G3/8	1.12
K-36	100	50	160	130	20	11	80	G3/8	1.35

GT (OT) series turbo vibrator



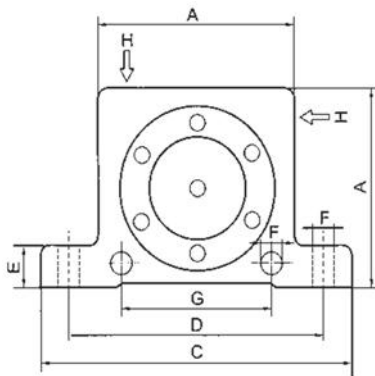
Parameter

Model	vibration per minute			Vibration force			Air consumption L/min		
	0.2MPa	0.4MPa	0.6MPa	0.2MPa	0.4MPa	0.6MPa	0.2MPa	0.4MPa	0.6MPa
GT-04	14100	15100	16100	135	160	200	30	40	50
GT-06	11500	12500	13500	130	165	210	30	40	50
GT-08	35850	43000	45900	980	2100	2950	48	75	152
GT-10	26950	34800	37600	850	1400	2450	48	75	152
GT-13	25950	30050	39800	1450	2450	3700	125	210	280
GT-16	16950	21800	24100	1250	2100	3150	125	210	280
GT-20	16950	19800	23100	2180	4050	5500	188	315	465
GT-25	11980	15600	17100	2150	3550	5600	188	315	465
GT-30	12990	14010	16100	3400	5450	7550	335	520	755
GT-36	7990	10100	13000	3300	5380	7180	335	520	755
GT-40	7650	8850	9550	4350	7350	9850	428	680	960
GT-48	5800	7550	9750	4950	7750	10600	428	680	960

Dimension

Model	A	width	C	D	E	F	G	H	weight
	mm	mm	mm	mm	mm	mm	mm	G thread	Kg
GT-04	40	28	70	56	10	6	G1/8	G1/8	0.15
GT-06	40	28	70	56	10	6	G1/8	G1/8	0.15
GT-08	50	33	86	68	12	7	G1/8	G1/8	0.30
GT-10	50	33	86	68	12	7	G1/8	G1/8	0.32
GT-13	65	42	113	90	16	9	G1/4	G1/4	0.60
GT-16	65	42	113	90	16	9	G1/4	G1/4	0.63
GT-20	80	56	128	104	16	9	G1/4	G1/4	1.10
GT-25	80	56	128	104	16	9	G1/4	G1/4	1.13
GT-30	100	73	160	130	20	11	G3/8	G3/8	2.25
GT-36	100	73	160	130	20	11	G3/8	G3/8	2.28
GT-40	120	83	194	152	24	17	G3/8	G3/8	3.50
GT-48	120	83	194	152	24	17	G3/8	G3/8	3.60

R (OR) series pneumatic roller vibrator



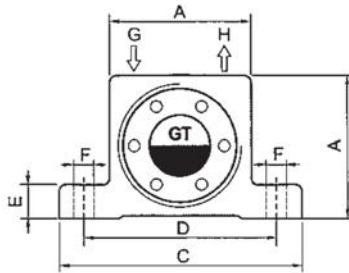
Parameter

Model	vibration per minute			Vibration force			Air consumption L/min		
	0.2MPa	0.4MPa	0.6MPa	0.2MPa	0.4MPa	0.6MPa	0.2MPa	0.4MPa	0.6MPa
R-50	25100	35100	36100	1170	2950	4250	150	148	198
R-65	19100	21100	26100	2750	4850	6150	210	305	410

Dimension

Model	A	width	C	D	E	F	G	H	weight
	mm	mm	mm	mm	mm	mm	mm	G thread	Kg
R-50	50	29	86	68	12	7	40	G1/8	0.25
R-65	62	37	113	90	16	9	50	G1/4	0,50

Stainless Steel pneumatic vibrator



Parameter

Model	vibration per minute			Vibration force (N)			Air consumption L/min		
	0.2MPa	0.4MPa	0.6MPa	0.2MPa	0.4MPa	0.6MPa	0.2MPa	0.4MPa	0.6MPa
GT-04	14100	15100	16100	135	160	200	30	40	50
GT-06	11500	12500	13500	130	165	210	30	40	50
GT-08	35850	43000	45900	980	2100	2950	48	75	152
GT-10	26950	34800	37600	850	1400	2450	48	75	152
GT-13	25950	30050	39800	1450	2450	3700	125	210	280
GT-16	16950	21800	24100	1250	2100	3150	125	210	280
GT-20	16950	19800	23100	2180	4050	5500	188	315	465
GT-25	11980	15600	17100	2150	3550	5600	188	315	465
GT-30	12990	14010	16100	3400	5450	7550	335	520	755
GT-36	7990	10100	13000	3300	5380	7180	335	520	755
GT-40	7650	8850	9550	4350	7350	9850	428	680	960
GT-48	5800	7550	9750	4950	7750	10600	428	680	960

Dimension

Model	A	width	C	D	E	F	G	H	weight
	mm	mm	mm	mm	mm	mm	mm	G thread	Kg
GT-04	40	28	70	56	10	6	G1/8	G1/8	0.35
GT-06	40	28	70	56	10	6	G1/8	G1/8	0.38
GT-08	50	33	86	68	12	7	G1/8	G1/8	0.80
GT-10	50	33	86	68	12	7	G1/8	G1/8	0.85
GT-13	65	42	113	90	16	9	G1/4	G1/4	1.35
GT-16	65	42	113	90	16	9	G1/4	G1/4	1.38
GT-20	80	56	128	104	16	9	G1/4	G1/4	2.50
GT-25	80	56	128	104	16	9	G1/4	G1/4	2.53
GT-30	100	73	160	130	20	11	G3/8	G3/8	5.15
GT-36	100	73	160	130	20	11	G3/8	G3/8	5.18
GT-40	120	83	194	152	24	17	G3/8	G3/8	7.35
GT-48	120	83	194	152	24	17	G3/8	G3/8	7.38