



# PI Pressure Transmitter

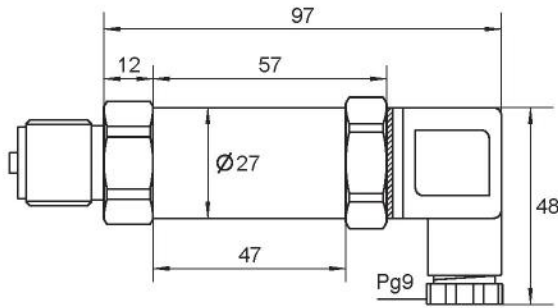
Pressure transmitter is the most commonly used in industrial production of a sensor, It is widely used in various industrial control environment, involved in water conservancy and hydropower, railway transportation, intelligent buildings, production control, aerospace, military industry, petrochemical, oil, electric power, ships, machine tools, pipe and so on industry.

Pressure transmitter is mainly ceramic piezoresistive pressure transmitter, capacitance pressure transmitter, diffusion silicon pressure transmitter, strain type pressure transmitter, pressure transmitter, sapphire sputtering film pressure transmitter, etc.,

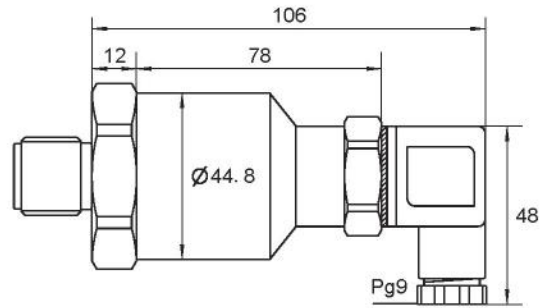
## Product Type



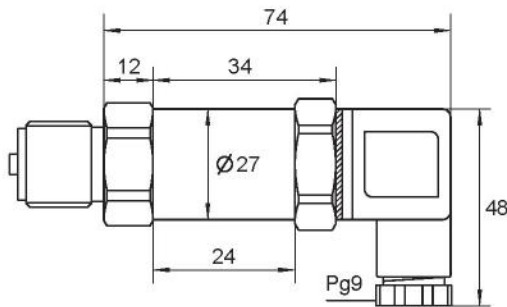
PI 1 type Economical Pressure Transmitter



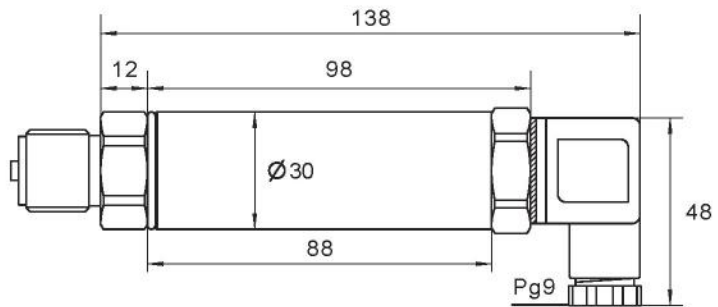
PI121 , PI125 , PI131 , PI136



PI133



PI132



PI135

The main technical parameters

Measurement range	Positive pressure		Negative pressure		Absolute pressure	
	Min range	Max range	Min range	Max range	Min range	Max range
	500Pa	260MPa	-80kPa	-100kPa	5kPa	60MPa
Accuracy	0.2%F.S. , 0.5%F.S.					
Power supply	12 ~ 30VDC , 24VDC					
Output signal	4 ~ 20mA , 0 ~ 20mA , 1 ~ 5VDC , 0 ~ 10VDC , 0 ~ 5VDC , customizable					
Temperature range	Compensation Temperature		Medium Temperature	Operating Temperature	Storage Temperature	
	0 ~ 50°C , -10 ~ 80°C , Customizable		-25 ~ 85°C	-20 ~ 85°C	-40 ~ 125°C	
Temperature drift	0.02%F.S./°C					
Electrical connection	DIN, M12×1(4-pin), Terminals, customizable					
Protection class	IP65 , IP67					
Thread connection	M20×1.5(M) , G1/2"(M) , G1/4"(M) , customizable					
Anti-vibration	20g , 20 ~ 5000Hz					
Anti-shock	100g , 11ms					
Housing material	SUS304 , Aluminum alloy					
Operational life	> 1×10 <sup>8</sup> Pressure Cycling					

PI 1 type Economical Pressure Transmitter Selection table

	G: Gauge Pressure; N: Composite gauge pressure (positive & negative pressure) A: Absolute pressure										
	digit & unit, eg: 0~2.0MPa										
	F: 4~20mA two wire H: 4~20mA/Hart; S: RS485/Modbus RTU; V: 1~5VDC three wire Y1: Customized										
	4: SUS304, 6: SUS316, Y2: Customized										
	M: Male thread M20x1.5( <sup>inner hole</sup> Φ3); G: Male threadG1/2"( <sup>inner hole</sup> Φ3); Y3: Customized										
	C: ATM within80°C ; T: high-temp 200°C ; Y4: Customized										
	A: Standard type B: Flush type C: Half-flush type;										
	H: Hirschmann joint Y5: Customized										
	2: 0.2% F.S; 5: 0.5% F.S; Y6: Customized										
	A: without local display Y7: Customized C: LCD digital range display										
Product Series	Pressure type	Measuring range	Signal output	Process connection material	Process connection	Temperature range	Pressure taking way	Electrical connection	Accuracy	Display type	
PI131	-	( )	□	□	□	□	□	□	-	□	