



■ CF-S

CF

Cable Float Level Switch

Cable Float Level Switch uses one-step shaping injection molding with substantial structure, cheap price and long lifetime. It has very good control effect for long distance, multiple level control, submerged pump or liquid with grain or block. Certainly it is also useful for normal liquid. It is widely used in sewage treatment of all industrial producing line.

Cable Float Level Switch is a switch which can regulate the liquid level in barrel, manger or well. It can be regulated freely and it is easy to operate, convenient to install, safe and reliable, without maintenance, non-toxic and environment friendly. It can resist sewage and widely used in pool at home, factories and mines ect., and also ponds, barrel, manger and pot with oil, acid and alkali.

- ◆ CF-P type uses Micro Switch to make connection output. Connection point capacity 10A/250VAC can start the motor equipment directly; CF-S type uses mercury switch to make connection output and connection point capacity is 2A/250VAC.
- ◆ CF-P type uses European standard (HAR) rubber cable which has good weather resistance and long service life; CF-S type uses high temperature silica gel soft cable which has good capability of corrosion resistance, high temperature resistance and high voltage resistance.
- ◆ The structure of Cable Float Level Switch is very simple and it is no need to maintain and could be used in waste or clean water.
- ◆ Cable of any length could be custom-made.

Product series

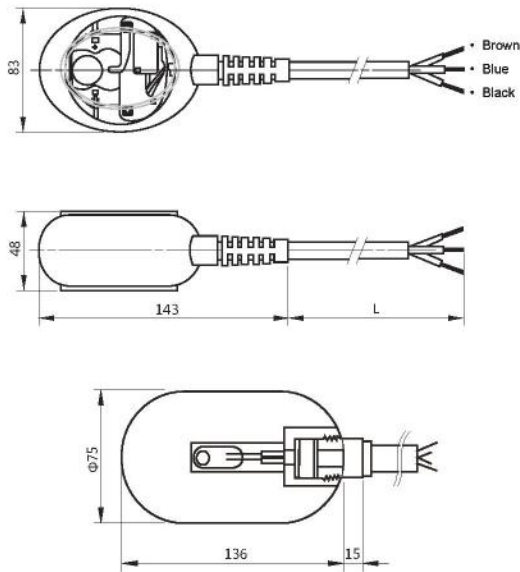


■ ZCF-P

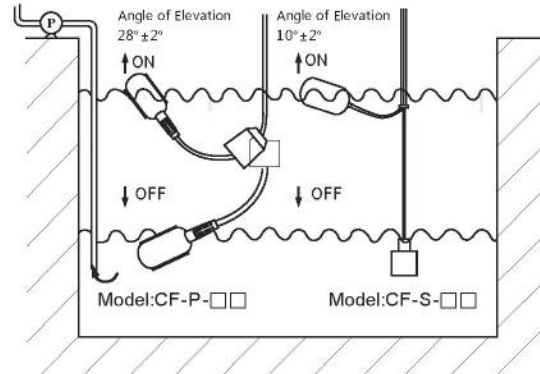


■ Stainless Steel Float

Product structure diagram



Operation schematic diagram



Technical specifications

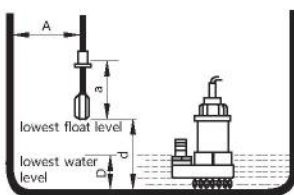
Rated Current	CF-P : 8A 250V, 5A 380V CF-S : (2A) 250VAC, (2A) 200VDC
Rated Power	1kw,
Working Temperature	CF-P : 10°C ~ 80 (Plastic); CF-S : 10 ~ 150 (Stainless Steel);
Control Accuracy	±0.05m
Working Air Pressure	CF-P: 0.5MPa; CF-S: 3.0MPa;
Application medium	clean water, wastewater, oil as well as medium concentration of acid and alkali liquid
Length of cable	standard provide length is 4m, special length can be customized.

Performance feature

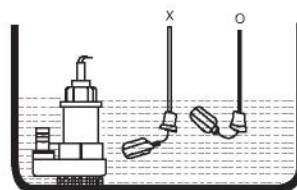
Leading design and strict fabrication technology guarantee the highest reliability of quality.

- ◆ The shell of CF-P type uses industrial plastic whose mechanical strength is very high and has good leak tightness. The shell of CF-S is stainless steel SUS304 which main used in high temperature and high-pressure environment.
- ◆ The cable uses special material, which can resist oil, acid, alkali and has good corrosion resistance.
- ◆ The structure is simple and performance is reliable. Output reliable "connect", "cut" switch control signal and do not have any mistakes. It is very reliable.
- ◆ It is easy to install and debug. Reciprocate to locate weight blocks, which can be easily regulated the control range.

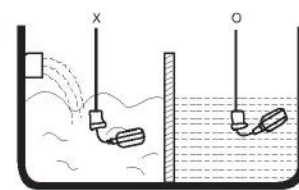
Installation instruction



Related sizes of installation
Float operation length "a" must be less than the distance A between slurry wall and cable for correct action. The lowest water level controlled by float must be larger than the lowest water level "D" of pump to protect motor.

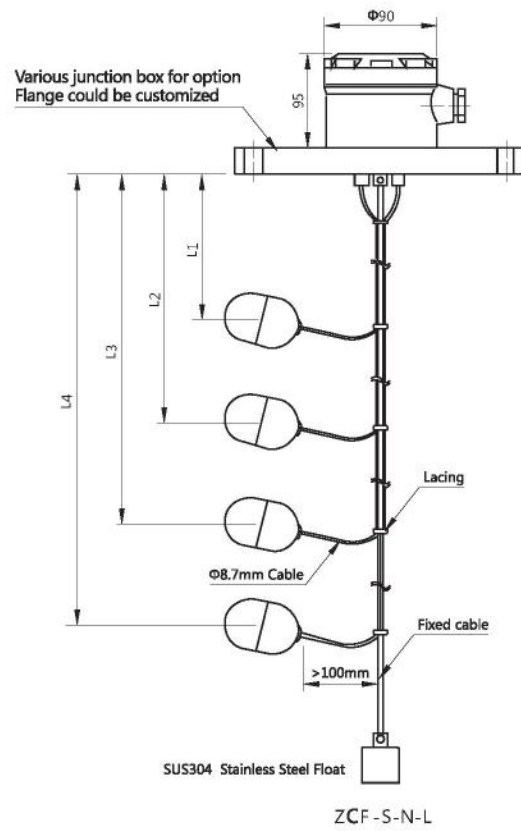
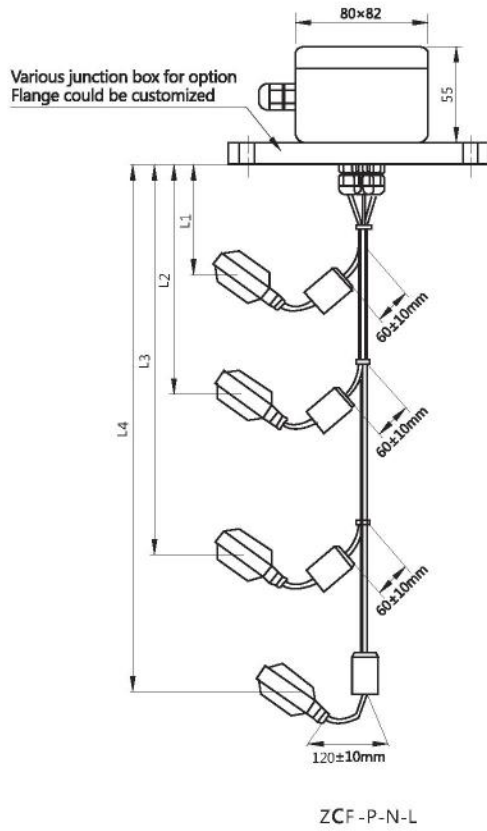


Notice 1
It must keep a suitable distance between installation location and water inlet to prevent that the float switch is inhaled by water inlet.



Notice 2
It must keep a suitable distance between installation location and water inlet to prevent inaccurate sensor caused by crushing water; If it can't be prevented, we can add break water pipe or break water board to improve the environment.

Combination application



Parameter selection Table

CF : Single cable float ball (direct outlet); ZCF : Multiple cable float balls combination

P : Plastic; S : Stainless steel; W : Environmental Mercury-free

1: 1; 2: 2 (One by one)

xxxx : Unit mm

Vacant: No; (SA & PR for option)

Product series

Material of float ball

Qty. of float ball

Length of cable

Junction box

(Z) CF

-□

-□

-□

(-□)